

Architectural Windows

8300i Series

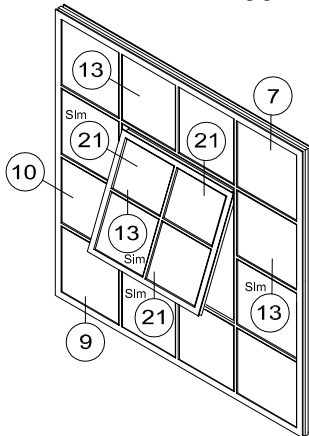
Elevations Viewed From The Exterior

Section Contents	Page(s)
Details	CBW1a-2 and CBW1a-3
Muntins, Posts and Stacks	CBW1a-4 to CBW1a-6
Glazing Options	CBW1a-7 and CBW1a-8
Accessories	CBW1a-9

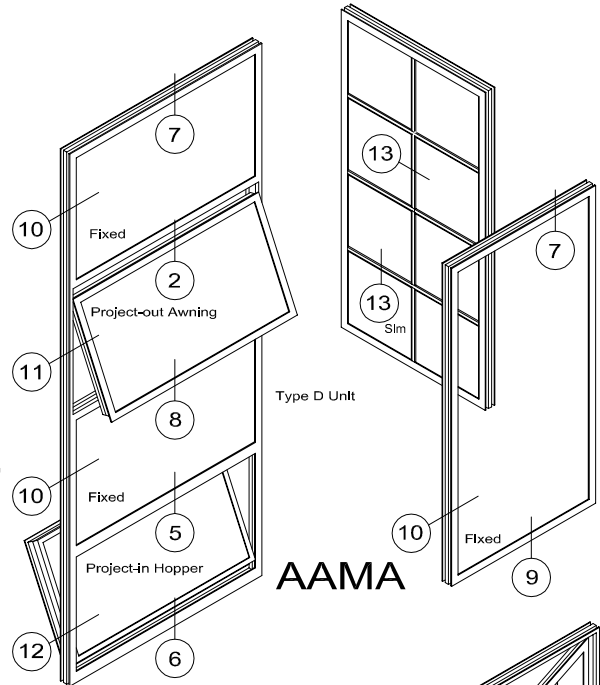
AAMA Test Configurations (shown)
Architectural AW Class

For air, water, cycling and structural

Fixed Frame Size	60" x 101"	Fixed	1524 mm x 2565 mm
Projected Frame Size	60" x 146"	Type D	1524 mm x 3708 mm
Casement Frame Size	108" x 61"	Type D	2743 mm x 1549 mm
Gateway Sizes	60" x 36"	Projected	1524 mm x 914 mm
	36" x 60"	Casement	914 mm x 1524 mm

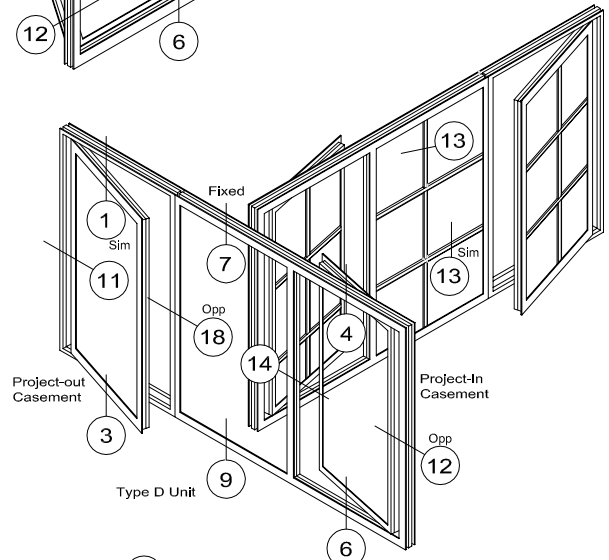


"Floating Vent"
Historical

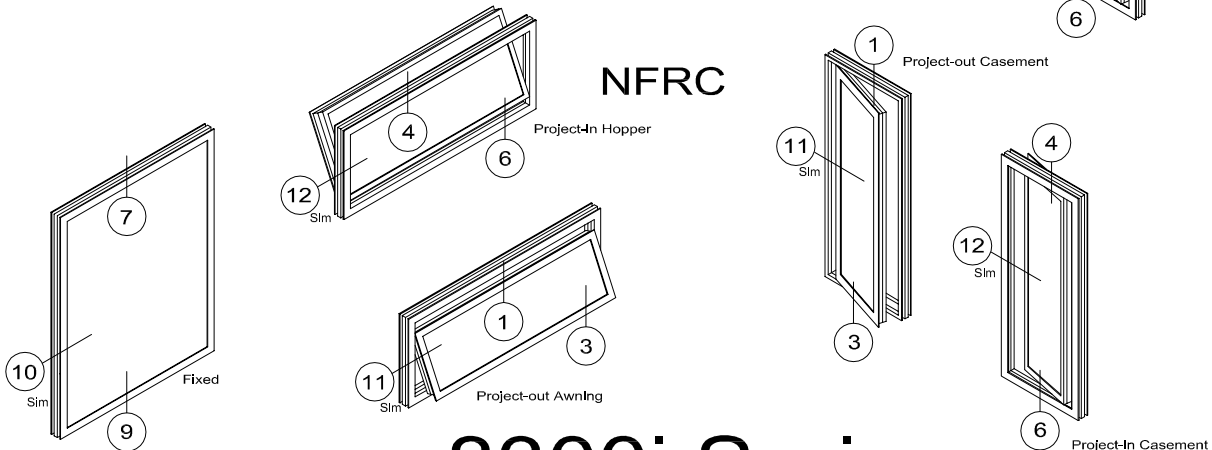


NFRC 100 Thermal Test Configurations (shown)
For U-Factor, SHGC and CR

Fixed Frame Size	48" x 60"	1219 mm x 1524 mm
Projected Frame Size	60" x 25"	1524 mm x 635 mm
Casement Frame Size	25" x 60"	635 mm x 1524 mm

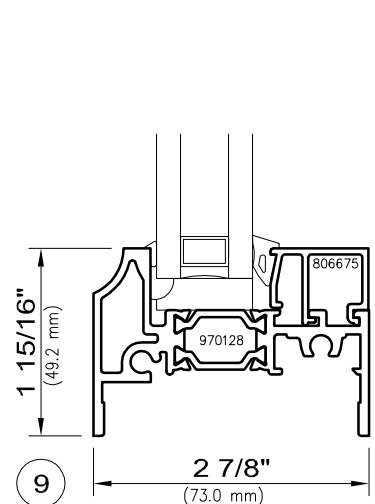
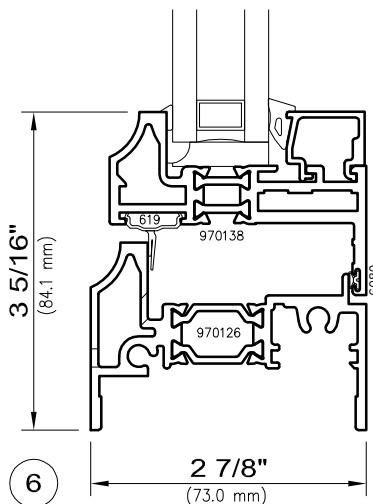
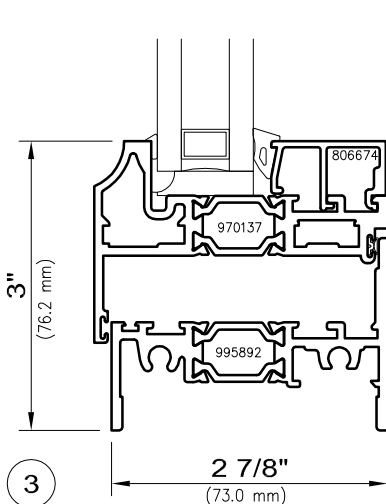
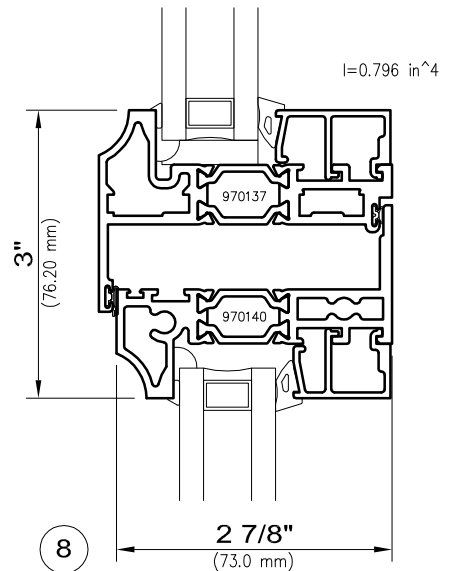
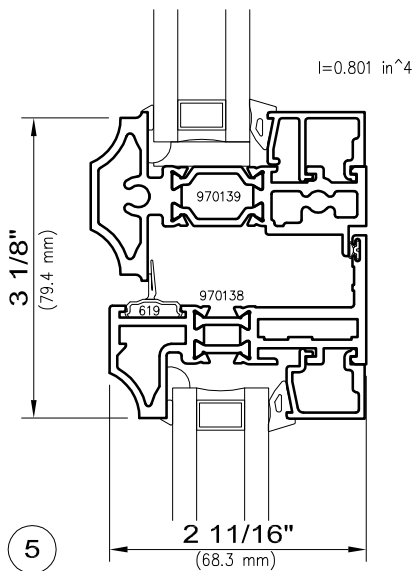
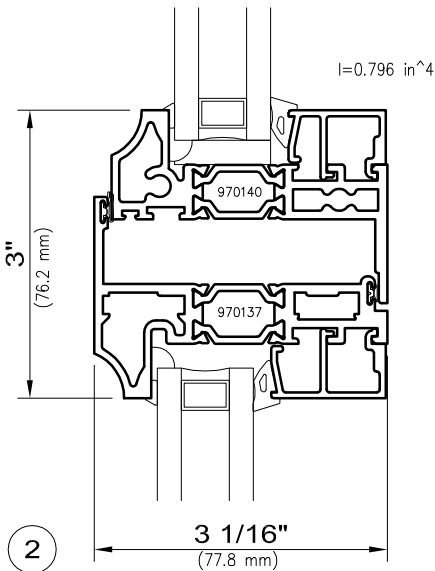
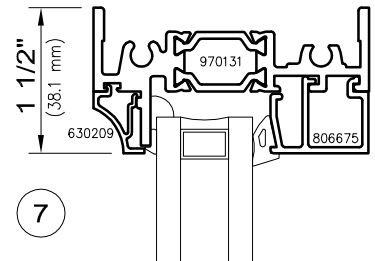
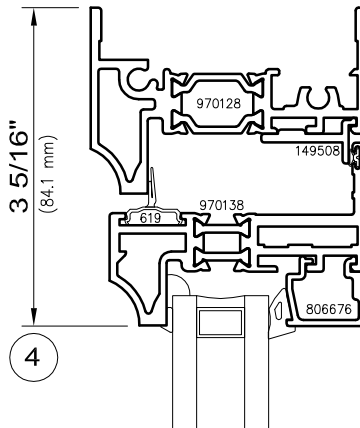
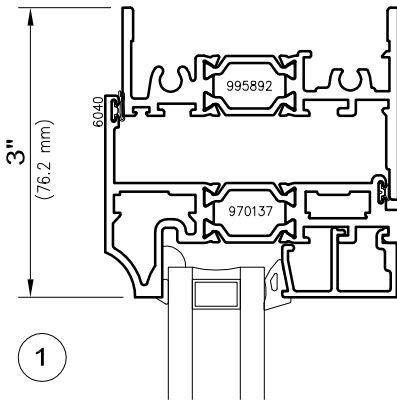


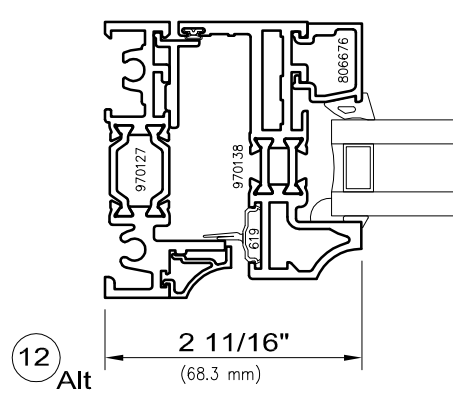
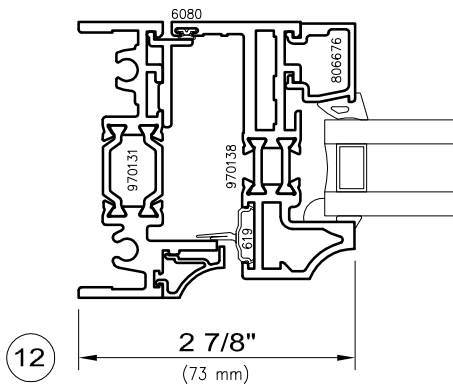
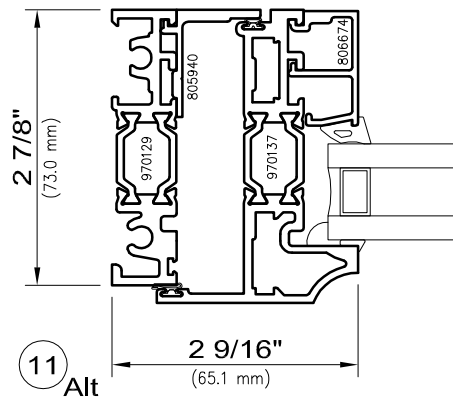
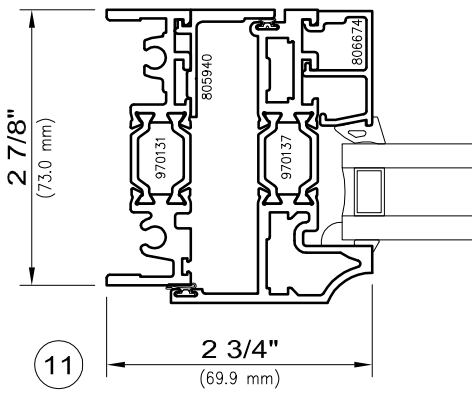
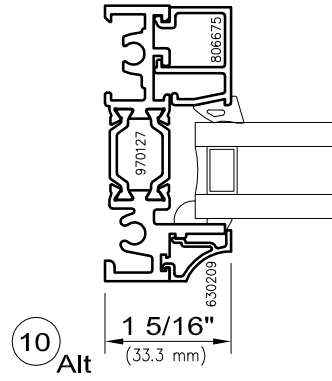
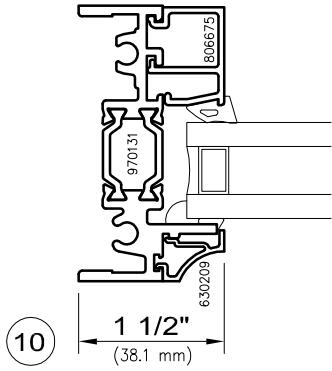
NFRC

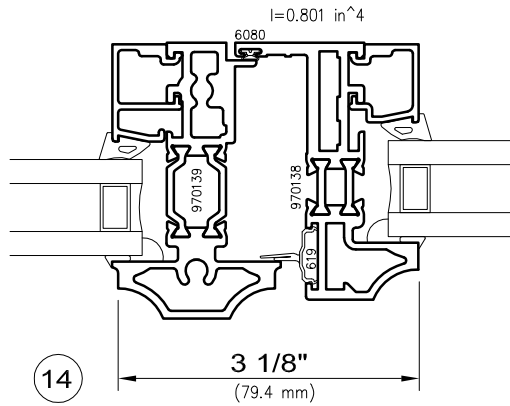
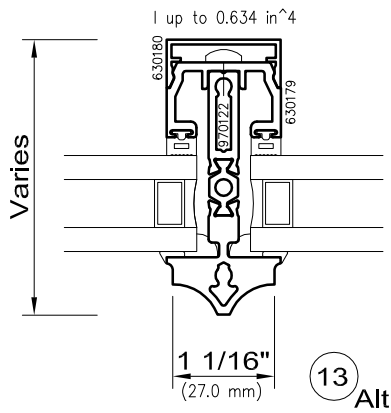
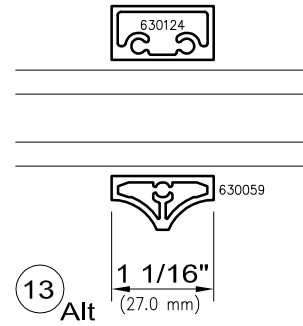
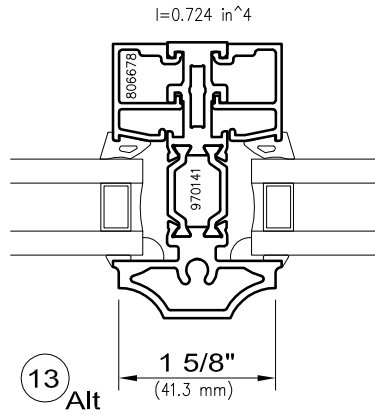
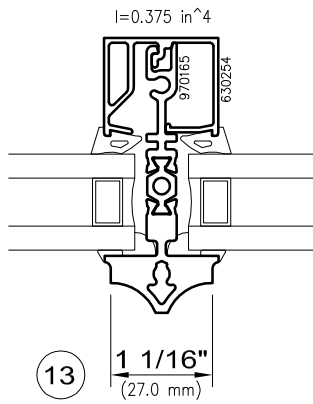


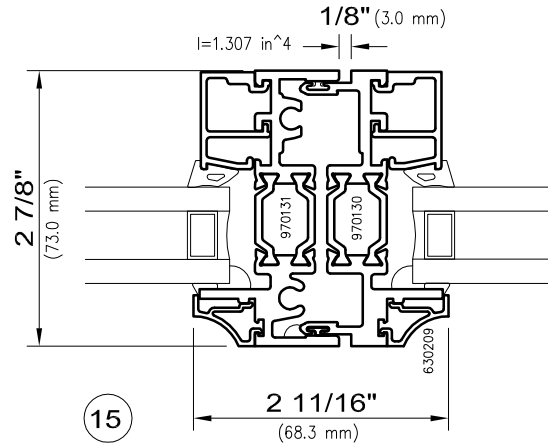
8300i Series

Contact A Wausau Representative For Other Possible Configurations

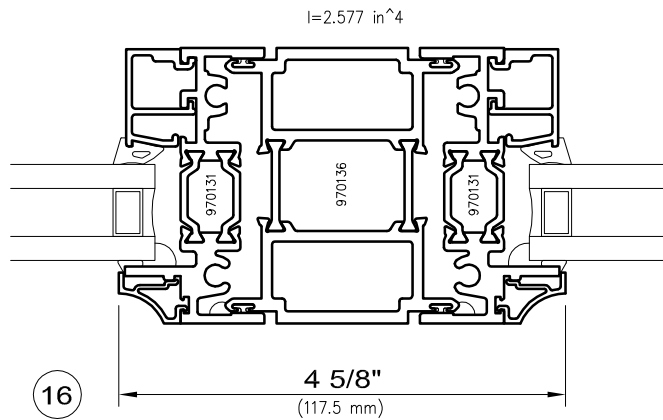




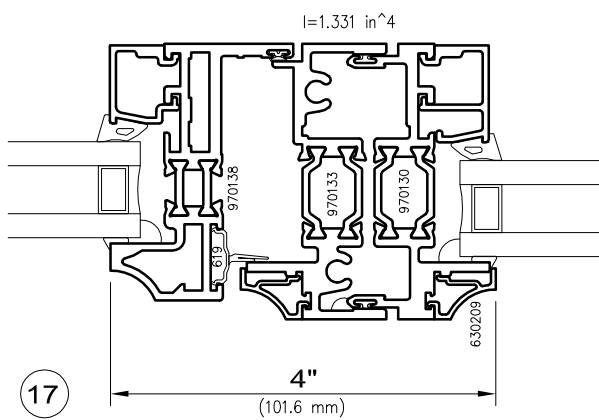




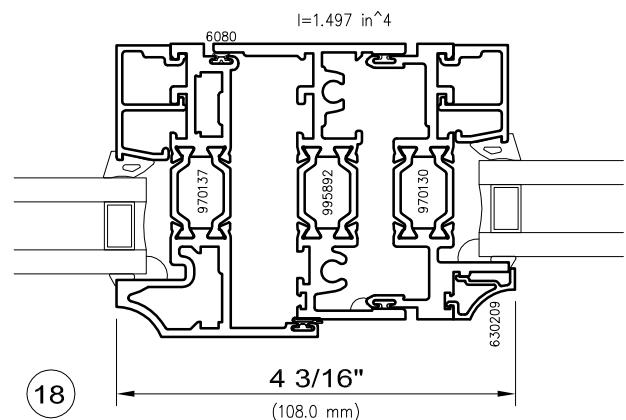
Fixed / Fixed



Fixed / Fixed "H" Mullion

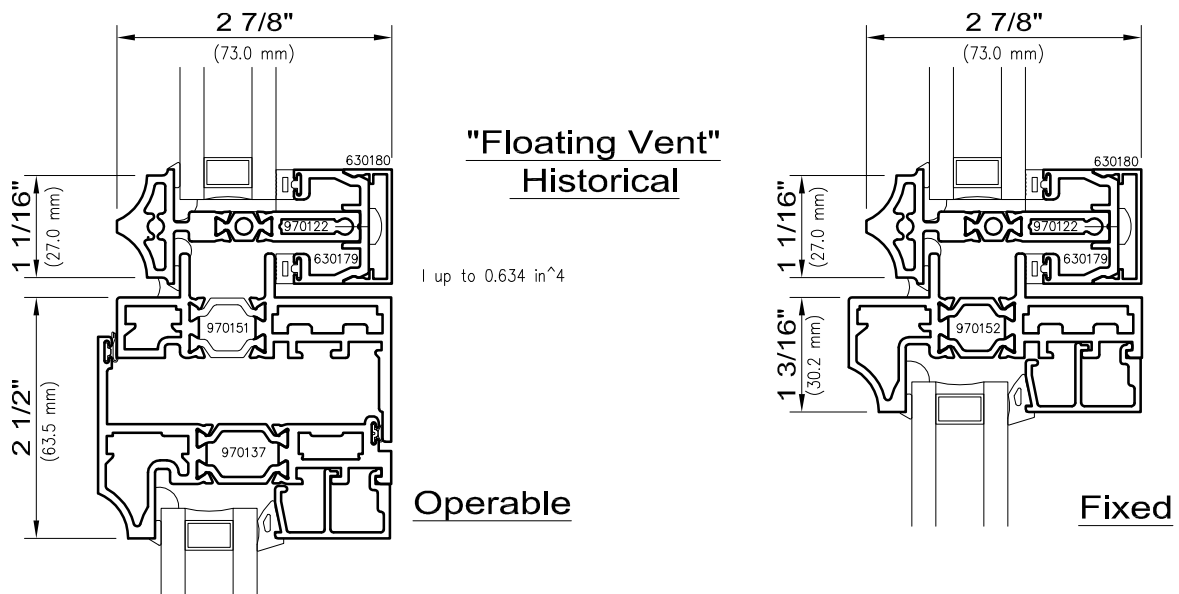
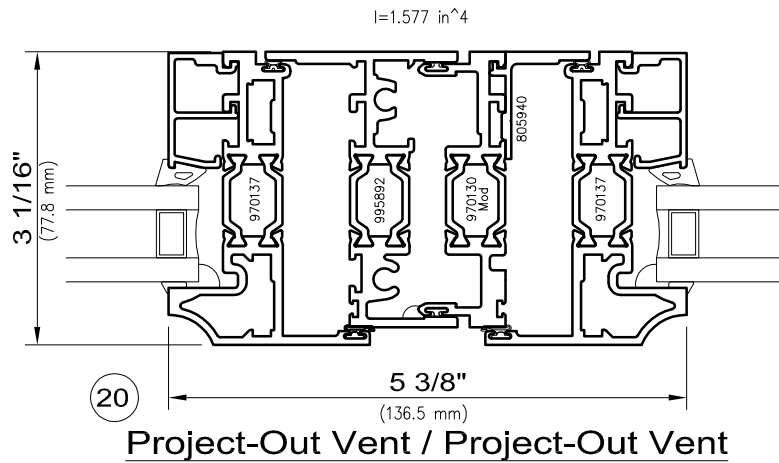
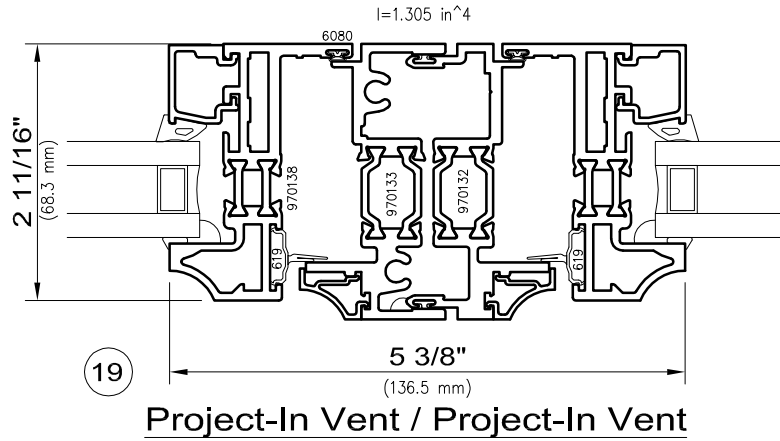


Project-In Vent / Fixed

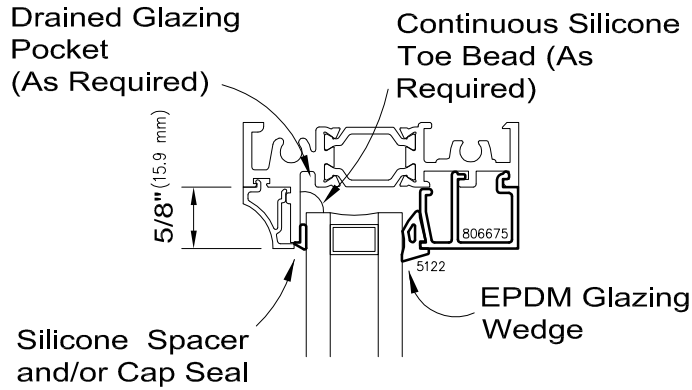


Project-Out Vent / Fixed

I-values indicated are for frame members only.
Thermal barrier shear reductions of 10% are included.

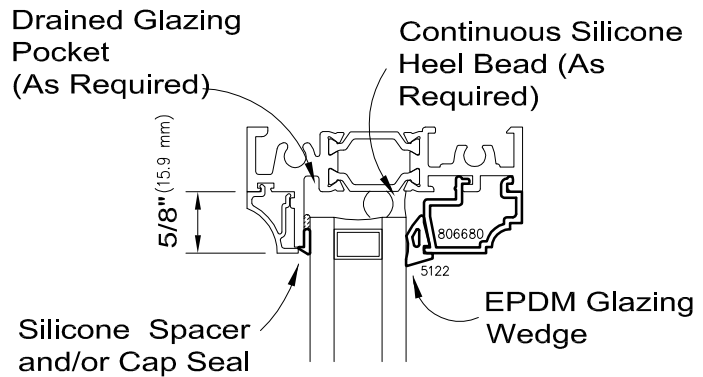


I-values indicated are for frame members only.
Thermal barrier shear reductions of 10% are included.

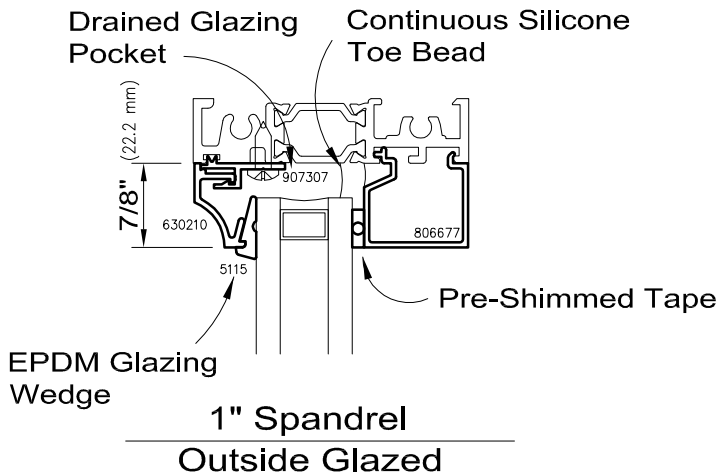


**1" Insulating Glass
Inside Glazed**

Continuous toe bead glazing is standard. Optional heel bead glazing is available when required by code or specification.



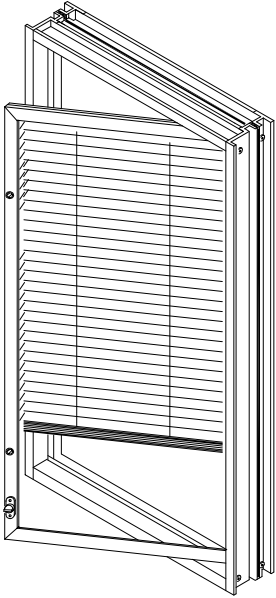
**1" Insulating Glass
Custom Interior Profile**



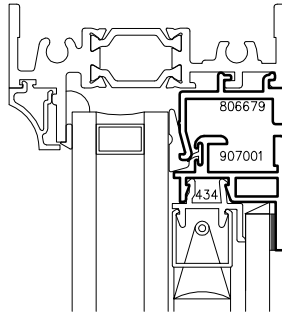
**1" Spandrel
Outside Glazed**

Blast and hurricane glazing are not available as standards in the Custom Window 8300i Series. Contact Wausau for blast and hurricane systems meeting the specific requirements of your project.

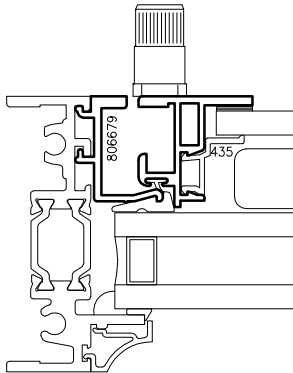
Elevations Shown As Viewed From The Interior



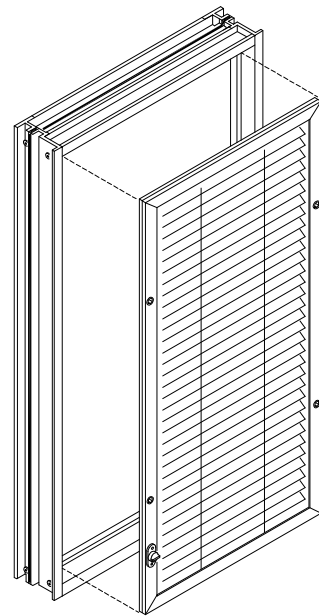
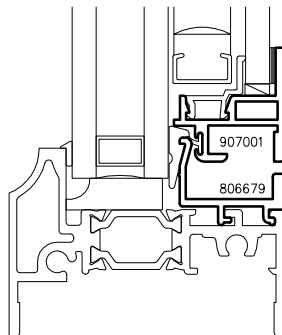
Hinged



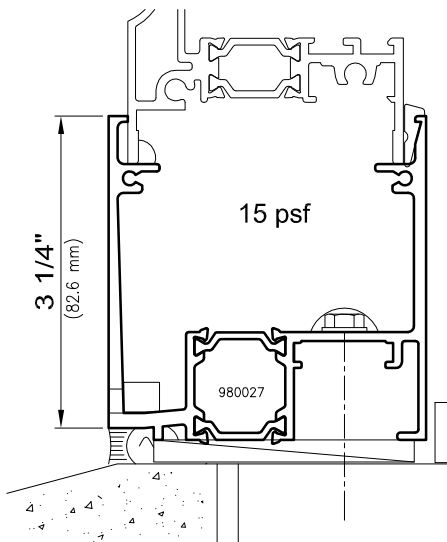
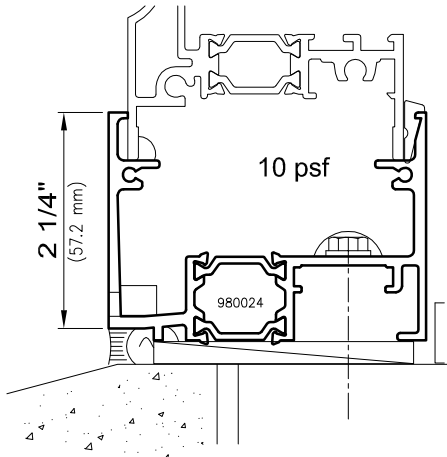
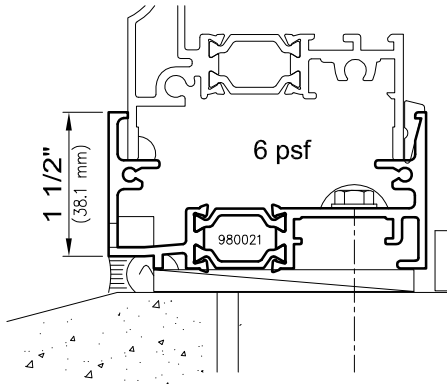
Between-glass blinds are not available with true divided lite (TDL) muntin grids. Use applied muntins.



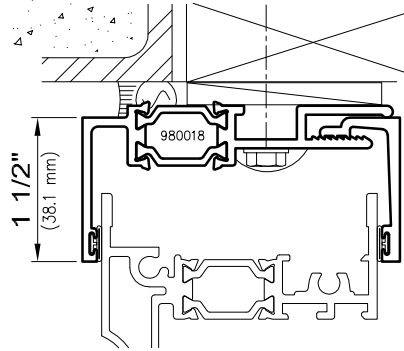
5/8" Blind/Triple Glazed



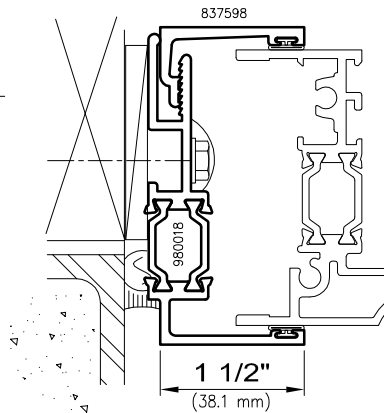
Lift-Out



INvent XLT Sill Starters

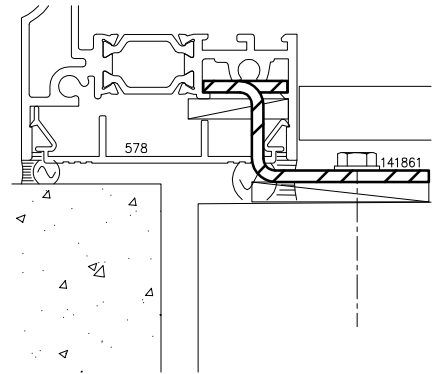


INvent XLT Head Starter

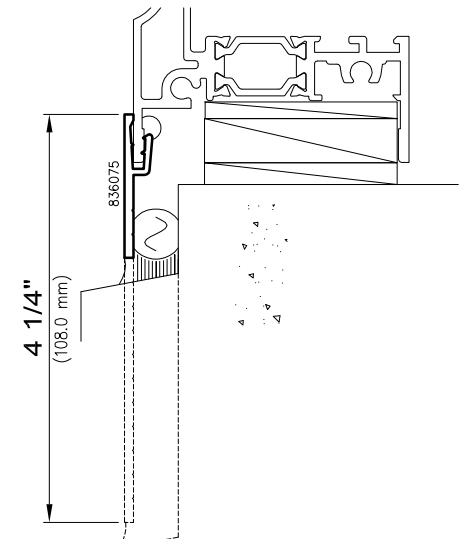


INvent XLT Jamb Starter

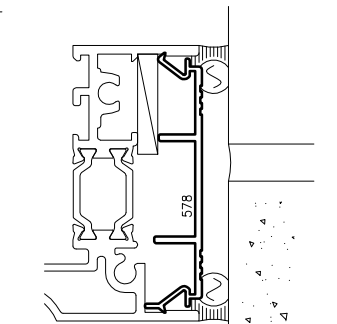
NOTE: Frame options compatible with starters should be selected.



INvent Slide-In Anchor
1/8" (nom.) Steel



Frame Extender
Trim to Fit



PVC Caulk Backer

Value in psf indicates approximate water head (without pressure equalization)